

TECHNOLOGY TO THE POINT



Haitian Plastics Machinery Group Co., Ltd
No.1688, Haitian Road, Xiaogang, Beilun, Ningbo, Zhejiang, China 315801
+ 86-574-8617 7005 (China)
+ 86-574-8617 7242 (International)
haitian@mail.haitian.com
www.haitianpm.com

NINGBO HAITIAN HUAYUAN MACHINERY CO.,LTD.
No.1, Nanhuan Road, Export Processing Zone, Beilun, Ningbo, Zhejiang, 315806 P.R. China
+86-574-8617 7242
+86-574-8622 1864
haitian@mail.haitian.com
www.haitianpm.com



JUPITER SERIES

SERVO HYDRAULIC TWO-PLATEN SOLUTION
TECHNICAL SPECIFICATION
4,500 - 12,000 kN



JU4500 V

MACHINE TYPE			JU4500 V											
CLAMPING UNIT	Clamping force	kN	4500											
	Mold opening stroke ^①	mm	1050/550											
	Mold height min.	mm	350											
	Mold height max.	mm	850											
	Total daylight max.	mm	1400											
	Dist. between tie-bars (H×V)	mm	810×810											
	Ejector stroke	mm	250											
	Ejector force	kN	110											
	Mold weight max. ^②	t	6.5											
INJECTION UNIT			1750			2250			3450			4650		
			A	B	C	A	B	C	A	B	C	A	B	C
	Screw diameter	mm	60	65	70	65	70	75	70	80	85	80	85	90
	Screw L/D ratio	L/D	21.7	20	18.6	21.5	20	18.7	22.9	20	19.1	23.4	22	20.8
	Injection volume (theoretical)	cm ³	848	995	1154	1068	1239	1422	1423	1859	2099	2211	2496	2799
	Injection weight (PS)	g	771	905	1050	972	1127	1294	1295	1692	1910	2012	2272	2547
	Injection rate (PS) ^③	g/s	366	430	498	372	431	495	402	525	593	525	593	665
	Injection pressure	MPa	185	157	136	182	157	137	208	159	141	181	160	143
	Injection pressure (max)	MPa	220	187	162	212	183	159	239	183	162	208	185	165
	Plasticizing rate (GPPS) ^④	g/s	59.9	66.5	75.5	62.0	71.1	80.4	69.8	92.0	101.0	80.2	88.7	101.0
	Plasticizing rate (HDPE) ^⑤	g/s	88.4	99	118	93.5	111.4	124.6	105.1	141.5	159.7	119.7	132.9	150.2
Screw speed	rpm	260			240			220			200			
OTHERS	Pump motor power	kW	55			55			65			75		
	Heater power	kW	27			32			39			48		
	Machine dimension (L×W×H) ^⑥	m	6.76×2.17×2.51			6.76×2.17×2.51			7.18×2.17×2.51			7.65×2.17×2.90		
	Machine weight	t	19			20			21			22		
	Hopper capacity (OP)	kg	50			50			50			100		
	Oil tank ^⑦	l	430			430			430			510		

NOTE:

- ① With min. mold height / with max. mold height.
- ② Moving platen: 2/3 of max. mold weight.
- ③ The injection rate refers to the parameter in the differential injection condition.
- ④ Plasticizing capacity (GPPS): GB standard, with application of GPPS plasticizing capacity of 3-zone screws.
- ⑤ Plasticizing capacity (HDPE): Euromap 19, with application of HDPE plasticizing capacity of barrier screws.
- ⑥ The size is the net size of the machine, excluding the width of the feeding platform and the working platform.
- ⑦ The oil tank volume refers to the volume of the oil tank itself, excluding the volume in cylinder and pipeline. In this sense, the customer is advised to prepare the hydraulic oil according to 1.35 times of the oil tank volume.

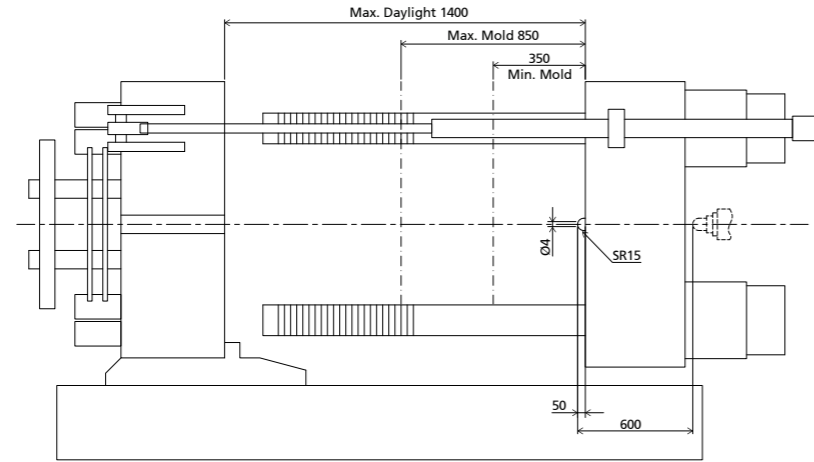
The above plasticizing capacity is for reference only.

We reserve the right to make changes as a result of further technical advantages.

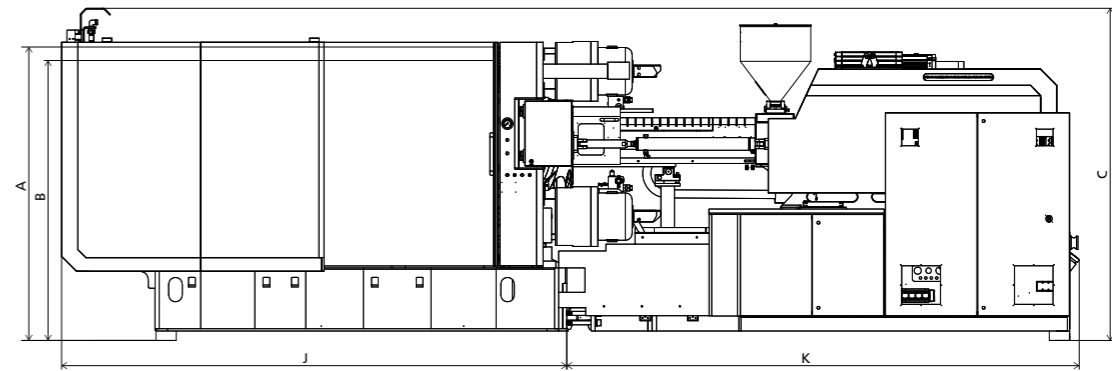


DIMENSIONS JU4500 V

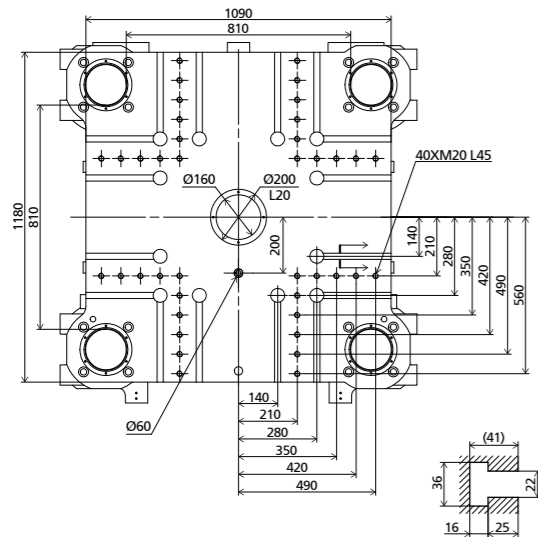
CLAMPING UNIT



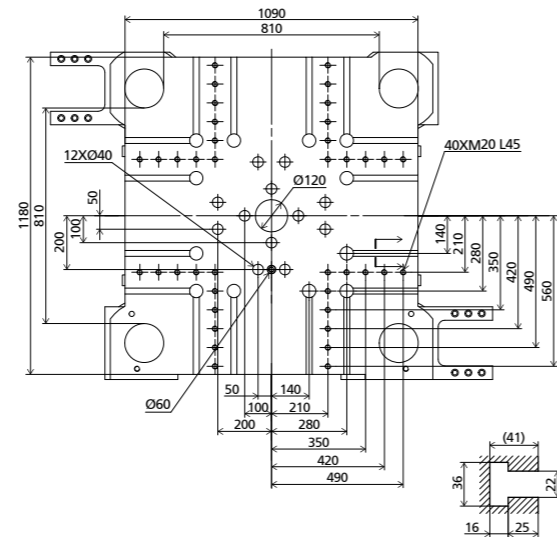
FRONT VIEW



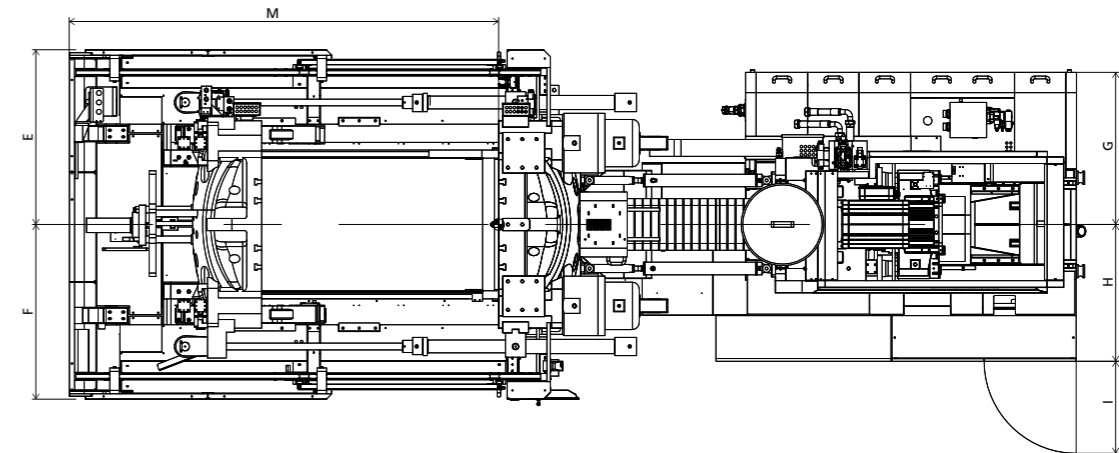
FIXED PLATEN DIMENSIONS



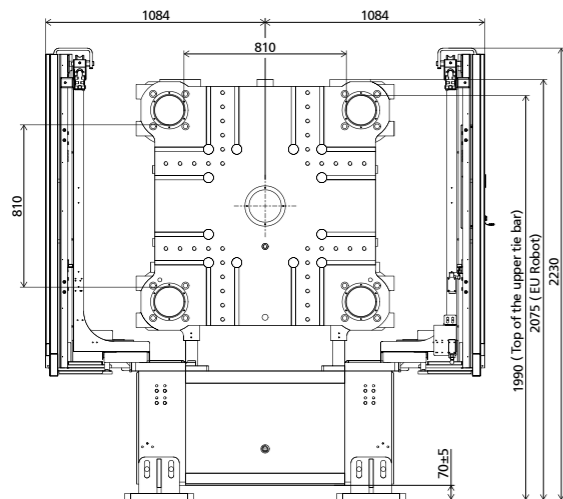
MOVING PLATEN DIMENSIONS



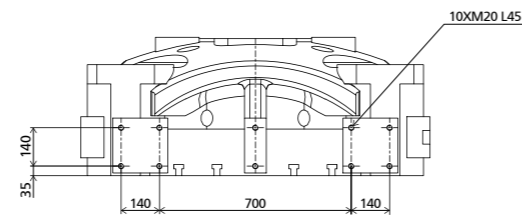
TOP VIEW



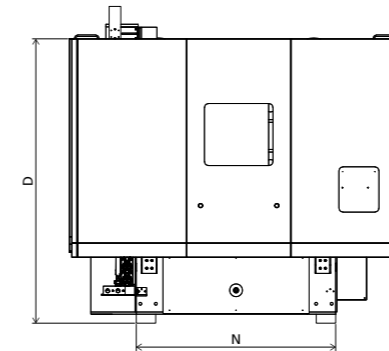
ROBOT MECHANICAL INTERFACE



ROBOTTOP VIEW FIXED PLATEN



SIDE VIEW



STANDARD

	INJECTION UNIT									DIMENSIONS (mm)			
	A	B	C	D	E	F	G	H	I	J	K	M	N
1750	2075	1990	2508	2200	1084	1084	1083	970	675	3269	3487	2774	1248
2250	2075	1990	2508	2200	1084	1084	1083	970	675	3269	3487	2774	1248
3450	2075	1990	2508	2200	1084	1084	1083	970	675	3269	3587	2774	1248
4650	2075	1990	2895	2200	1084	1084	1123	1010	675	3269	3842	2774	1248



JU5500 V

MACHINE TYPE		JU5500 V									
CLAMPING UNIT	Clamping force	kN				5500					
	Mold opening stroke ^①	mm				1300/750					
	Mold height min.	mm				350					
	Mold height max.	mm				900					
	Total daylight max.	mm				1650					
	Dist. between tie-bars (H×V)	mm				920×830					
	Ejector stroke	mm				250					
	Ejector force	kN				110					
	Mold weight max. ^②	t				8					
INJECTION UNIT			2250			3450			4650		
			A	B	C	A	B	C	A	B	C
	Screw diameter	mm	65	70	75	70	80	85	80	85	90
	Screw L/D ratio	L/D	21.5	20	18.7	22.9	20	19.1	23.4	22	20.8
	Injection volume (theoretical)	cm ³	1068	1239	1422	1423	1859	2099	2211	2496	2799
	Injection weight (PS)	g	972	1127	1294	1295	1692	1910	2012	2272	2547
	Injection rate (PS) ^③	g/s	372	431	495	402	525	593	525	593	665
	Injection pressure	MPa	182	157	137	208	159	141	181	160	143
	Injection pressure (max)	MPa	212	183	159	239	183	162	208	185	165
	Plasticizing rate (GPPS) ^④	g/s	62.0	71.1	80.4	69.8	92.0	101.0	80.2	88.7	101.0
	Plasticizing rate (HDPE) ^⑤	g/s	93.5	111.4	124.6	105.1	141.5	159.7	119.7	132.9	150.2
Screw speed	rpm	240			220			200			
OTHERS	Pump motor power	kW	55			65			75		
	Heater power	kW	32			39			48		
	Machine dimension (L×W×H) ^⑥	m	7.04×2.35×2.51			7.46×2.35×2.51			7.93×2.35×2.90		
	Machine weight	t	21			22			23		
	Hopper capacity (OP)	kg	50			50			100		
	Oil tank ^⑦	l	430			430			510		

NOTE:

- ① With min. mold height / with max. mold height.
- ② Moving platen: 2/3 of max. mold weight.
- ③ The injection rate refers to the parameter in the differential injection condition.
- ④ Plasticizing capacity (GPPS): GB standard, with application of GPPS plasticizing capacity of 3-zone screws.
- ⑤ Plasticizing capacity (HDPE): Euromap 19, with application of HDPE plasticizing capacity of barrier screws.
- ⑥ The size is the net size of the machine, excluding the width of the feeding platform and the working platform.
- ⑦ The oil tank volume refers to the volume of the oil tank itself, excluding the volume in cylinder and pipeline. In this sense, the customer is advised to prepare the hydraulic oil according to 1.35 times of the oil tank volume.

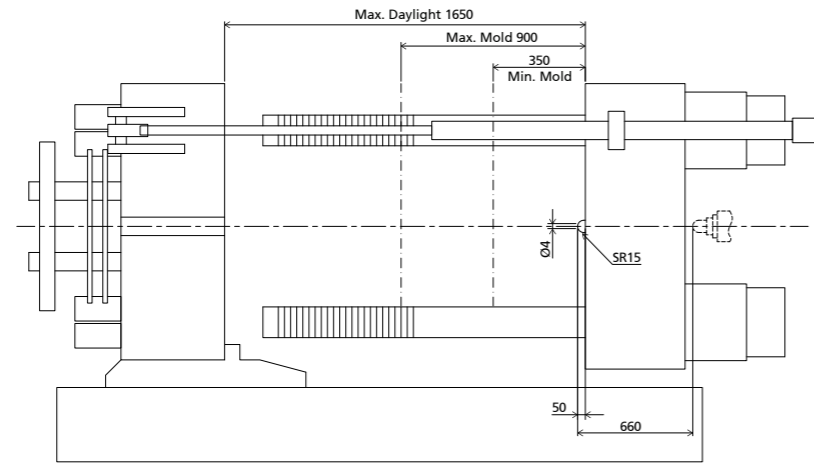
The above plasticizing capacity is for reference only.

We reserve the right to make changes as a result of further technical advantages.

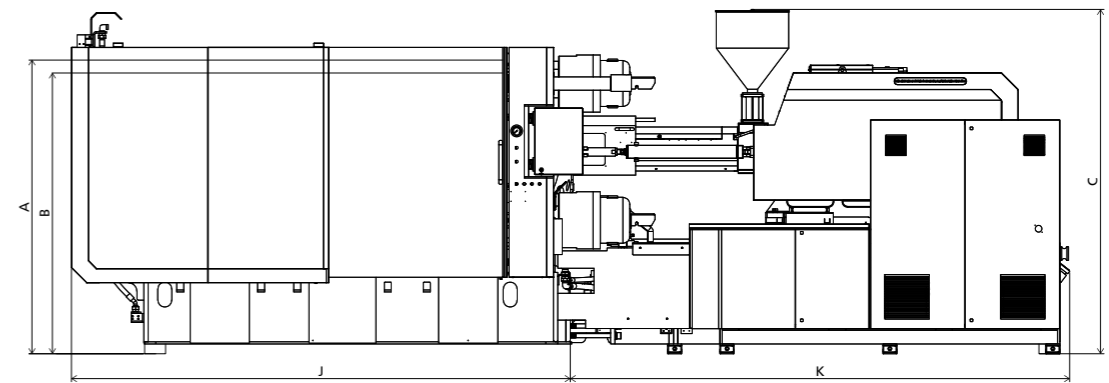


DIMENSIONS JU5500 V

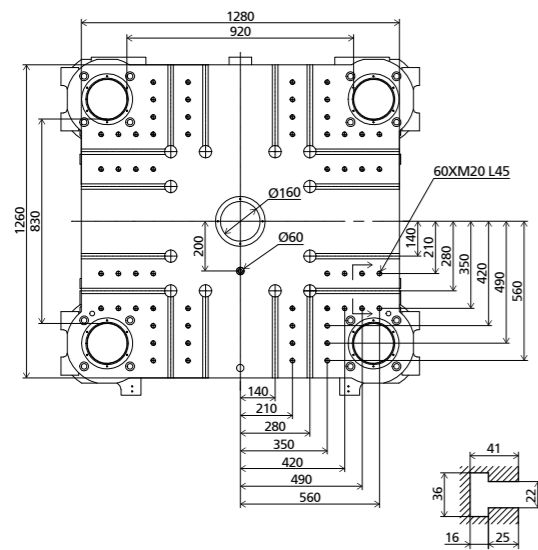
CLAMPING UNIT



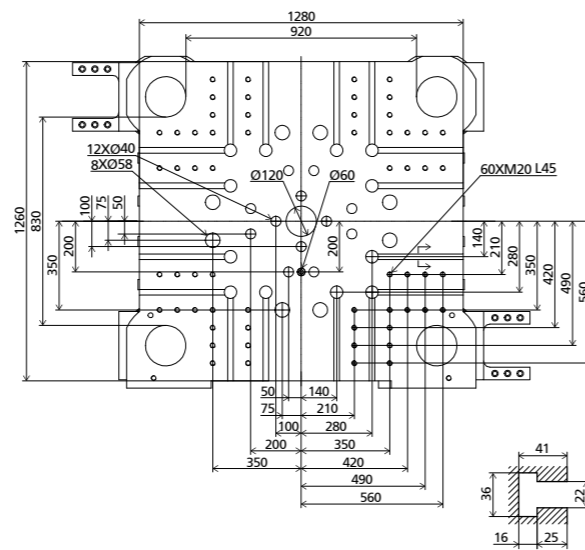
FRONT VIEW



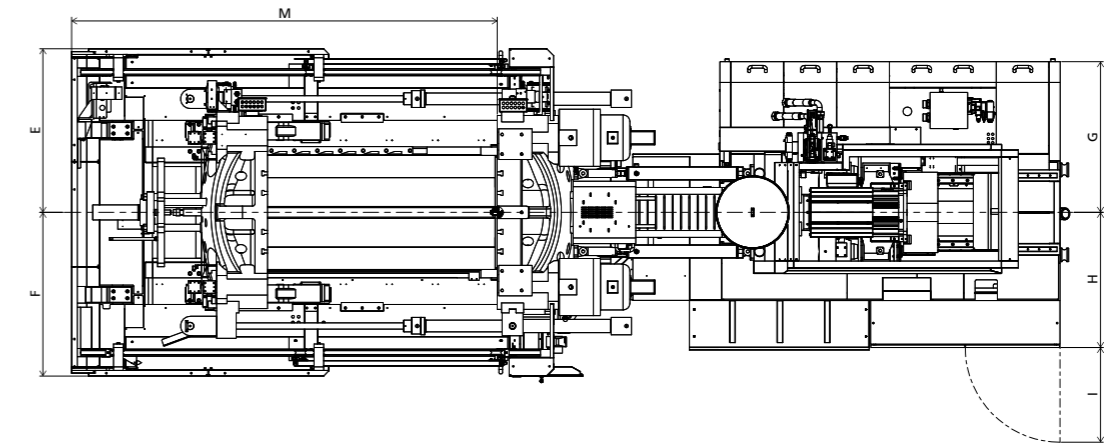
FIXED PLATEN DIMENSIONS



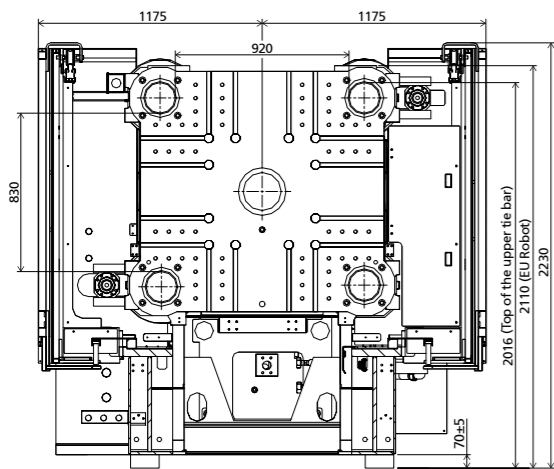
MOVING PLATEN DIMENSIONS



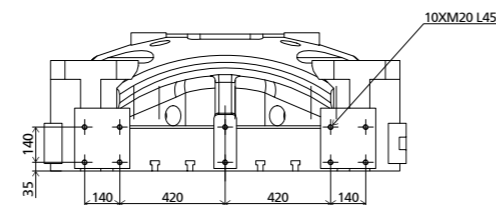
TOP VIEW



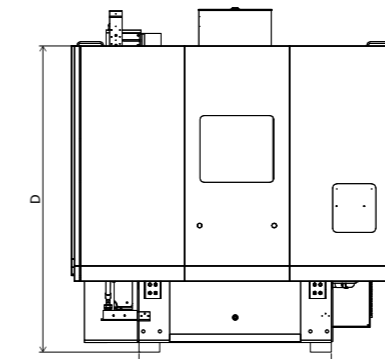
ROBOT MECHANICAL INTERFACE



ROBOTTOP VIEW FIXED PLATEN



SIDE VIEW



STANDARD

	INJECTION UNIT									DIMENSIONS (mm)			
	A	B	C	D	E	F	G	H	I	J	K	M	N
2250	2110	2016	2501	2200	1175	1175	1083	970	675	3581	3487	3056	1382
3450	2110	2016	2501	2200	1175	1175	1083	970	675	3581	3587	3056	1382
4650	2110	2016	2895	2200	1175	1175	1123	1010	675	3581	3792	3056	1382



JU6500 V

MACHINE TYPE		JU6500 V												
CLAMPING UNIT	Clamping force	kN	6500											
	Mold opening stroke ^①	mm	1350/800											
	Mold height min.	mm	400											
	Mold height max.	mm	950											
	Total daylight max.	mm	1750											
	Dist. between tie-bars (H×V)	mm	1040×910											
	Ejector stroke	mm	250											
	Ejector force	kN	110											
	Mold weight max. ^②	t	9.5											
INJECTION UNIT			2250			3450			4650			5350		
			A	B	C	A	B	C	A	B	C	A	B	C
	Screw diameter	mm	65	70	75	70	80	85	80	85	90	80	90	100
	Screw L/D ratio	L/D	21.5	20	18.7	22.9	20	19.1	23.4	22	20.8	24.8	22	19.8
	Injection volume (theoretical)	cm ³	1068	1239	1422	1423	1859	2099	2211	2496	2799	2261	2862	3534
	Injection weight (PS)	g	972	1127	1294	1295	1692	1910	2012	2272	2547	2058	2605	3216
	Injection rate (PS) ^③	g/s	459	532	611	402	525	593	525	593	665	551	697	861
	Injection pressure	MPa	182	157	137	208	159	141	181	160	143	204	161	130
	Injection pressure (max)	MPa	212	183	159	239	183	162	208	185	165	236	186	151
	Plasticizing rate (GPPS) ^④	g/s	62.0	71.1	80.4	69.8	92.0	101.0	80.2	88.7	101.0	85.0	106.6	131.0
	Plasticizing rate (HDPE) ^⑤	g/s	93.5	111.4	124.6	105.1	141.5	159.7	119.7	132.9	150.2	127.9	162.2	200.1
	Screw speed	rpm		240			220			200			190	
OTHERS	Pump motor power	kW	65			65			75			90		
	Heater power	kW	32			39			48			54		
	Machine dimension (L×W×H) ^⑥	m	7.16×2.58×2.51			7.58×2.58×2.51			8.05×2.58×2.90			8.37×2.58×2.92		
	Machine weight	t	23			24			25			26		
	Hopper capacity (OP)	kg	50			50			100			100		
	Oil tank ^⑦	l	430			430			510			510		

NOTE:

- ① With min. mold height / with max. mold height.
- ② Moving platen: 2/3 of max. mold weight.
- ③ The injection rate refers to the parameter in the differential injection condition.
- ④ Plasticizing capacity (GPPS): GB standard, with application of GPPS plasticizing capacity of 3-zone screws.
- ⑤ Plasticizing capacity (HDPE): Euromap 19, with application of HDPE plasticizing capacity of barrier screws.
- ⑥ The size is the net size of the machine, excluding the width of the feeding platform and the working platform.
- ⑦ The oil tank volume refers to the volume of the oil tank itself, excluding the volume in cylinder and pipeline. In this sense, the customer is advised to prepare the hydraulic oil according to 1.35 times of the oil tank volume.

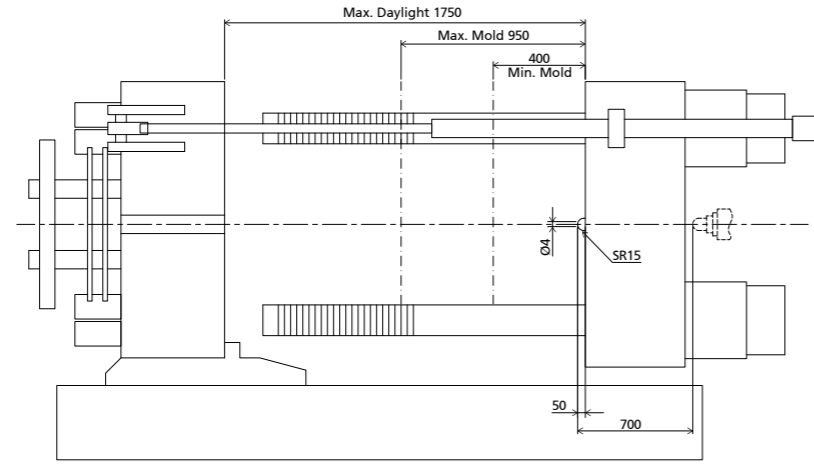
The above plasticizing capacity is for reference only.

We reserve the right to make changes as a result of further technical advantages.

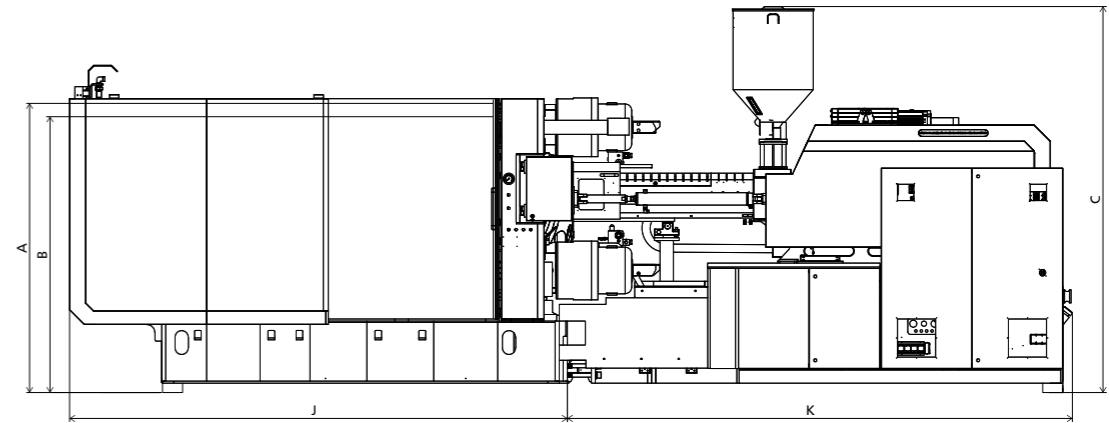


DIMENSIONS JU6500 V

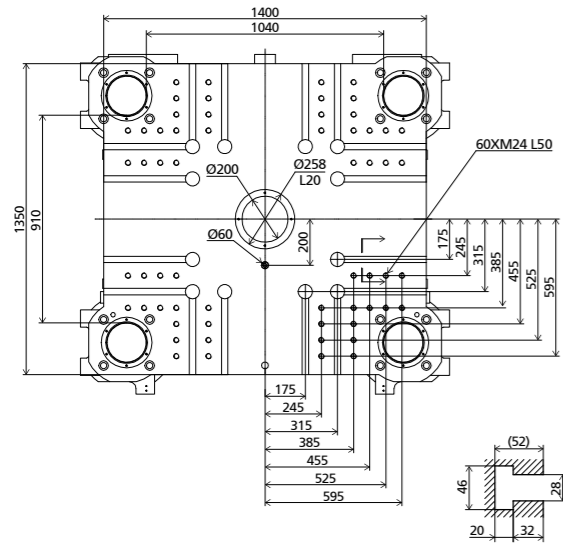
CLAMPING UNIT



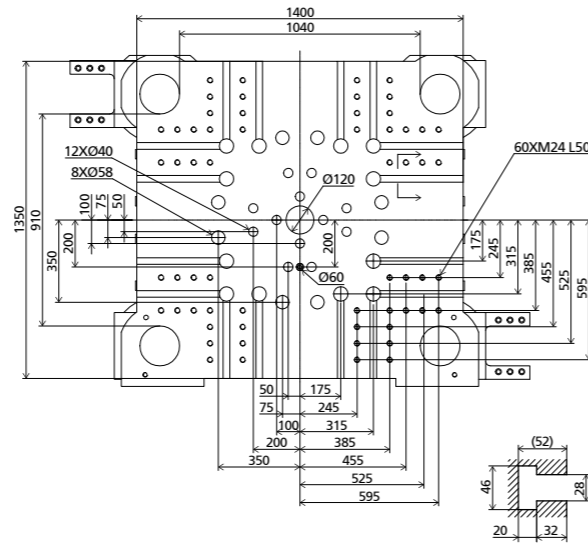
FRONT VIEW



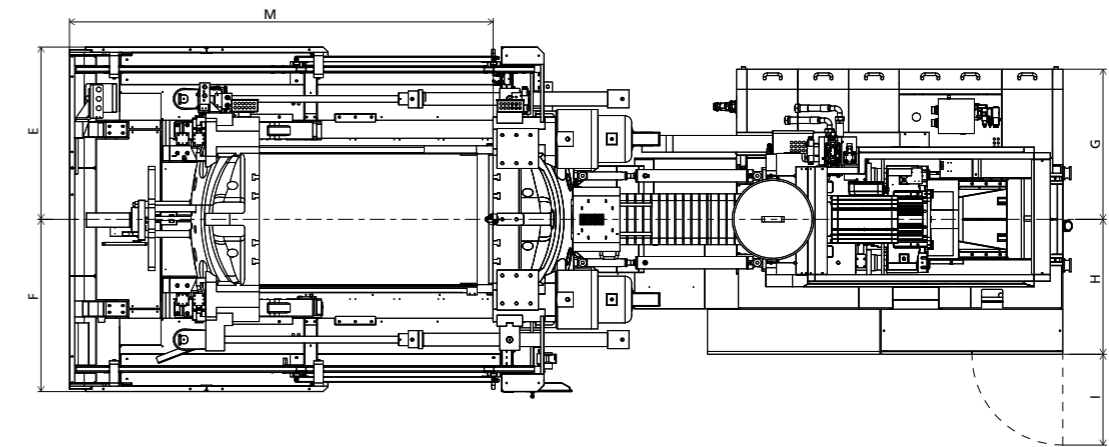
FIXED PLATEN DIMENSIONS



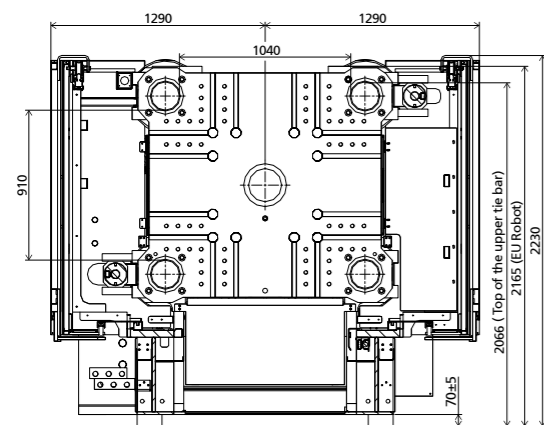
MOVING PLATEN DIMENSIONS



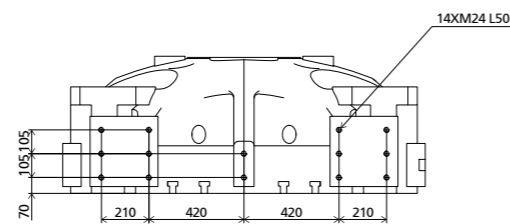
TOP VIEW



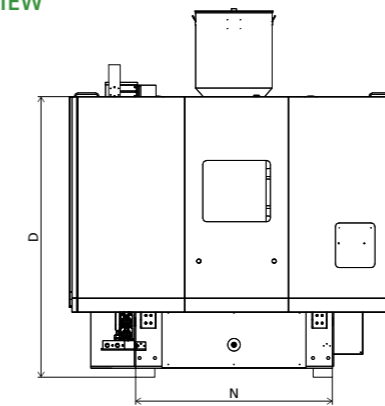
ROBOT MECHANICAL INTERFACE



ROBOTTOP VIEW FIXED PLATEN



SIDE VIEW



STANDARD

	INJECTION UNIT								DIMENSIONS (mm)				
	A	B	C	D	E	F	G	H	I	J	K	M	N
2250	2165	2066	2501	2200	1290	1290	1083	970	675	3726	3527	3171	1542
3450	2165	2066	2501	2200	1290	1290	1083	970	675	3726	3577	3171	1542
4650	2165	2066	2895	2200	1290	1290	1123	1010	675	3726	3782	3171	1542
5350	2165	2066	2918	2200	1290	1290	1153	1040	675	3726	3979	3171	1542



JU7500 V

MACHINE TYPE		JU7500 V												
CLAMPING UNIT	Clamping force	kN	7500											
	Mold opening stroke ^①	mm	1400/900											
	Mold height min.	mm	450											
	Mold height max.	mm	950											
	Total daylight max.	mm	1850											
	Dist. between tie-bars (H×V)	mm	1120×960											
	Ejector stroke	mm	300											
	Ejector force	kN	195											
	Mold weight max. ^②	t	11											
			3450			4650			5350			6750		
			A	B	C	A	B	C	A	B	C	A	B	C
INJECTION UNIT	Screw diameter	mm	70	80	85	80	85	90	80	90	100	90	100	110
	Screw L/D ratio	L/D	22.9	20	19.1	23.4	22	20.8	24.8	22	19.8	24.4	22	20
	Injection volume (theoretical)	cm ³	1423	1859	2099	2211	2496	2799	2261	2862	3534	2990	3691	4466
	Injection weight (PS)	g	1295	1692	1910	2012	2272	2547	2058	2605	3216	2720	3359	4064
	Injection rate (PS) ^③	g/s	457	597	674	525	593	665	551	697	861	644	796	963
	Injection pressure	MPa	208	159	141	181	160	143	204	161	130	193	156	129
	Injection pressure (max)	MPa	239	183	162	208	185	165	236	186	151	222	180	148
	Plasticizing rate (GPPS) ^④	g/s	69.8	92.0	101.0	80.2	88.7	101.0	85.0	106.6	131.0	103.4	127.1	150.2
	Plasticizing rate (HDPE) ^⑤	g/s	105.1	141.5	159.7	119.7	132.9	150.2	127.9	162.2	200.1	155.6	191.0	227.5
Screw speed	rpm	220			200			190			170			
OTHERS	Pump motor power	kW	75			75			90			105		
	Heater power	kW	39			48			54			71		
	Machine dimension (L×W×H) ^⑥	m	7.86×2.76×2.55			8.33×2.76×2.90			8.65×2.76×2.92			8.80×2.76×2.93		
	Machine weight	t	27			28			29			31		
	Hopper capacity (OP)	kg	50			100			100			100		
	Oil tank ^⑦	l	430			510			510			590		

NOTE:

- ① With min. mold height / with max. mold height.
- ② Moving platen: 2/3 of max. mold weight.
- ③ The injection rate refers to the parameter in the differential injection condition.
- ④ Plasticizing capacity (GPPS): GB standard, with application of GPPS plasticizing capacity of 3-zone screws.
- ⑤ Plasticizing capacity (HDPE): Euromap 19, with application of HDPE plasticizing capacity of barrier screws.
- ⑥ The size is the net size of the machine, excluding the width of the feeding platform and the working platform.
- ⑦ The oil tank volume refers to the volume of the oil tank itself, excluding the volume in cylinder and pipeline. In this sense, the customer is advised to prepare the hydraulic oil according to 1.35 times of the oil tank volume.

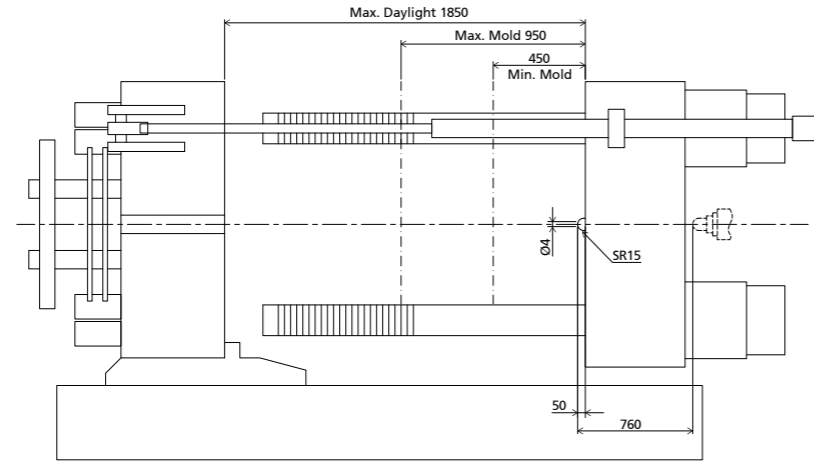
The above plasticizing capacity is for reference only.

We reserve the right to make changes as a result of further technical advantages.

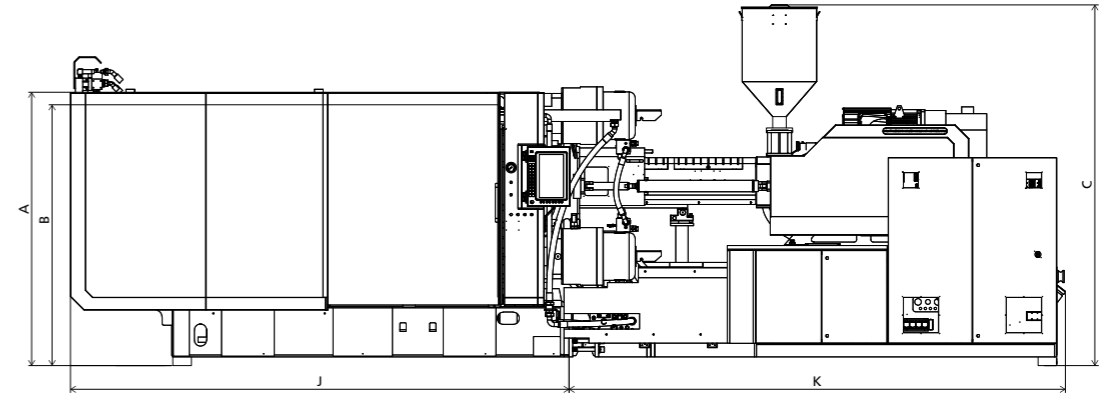


DIMENSIONS JU7500 V

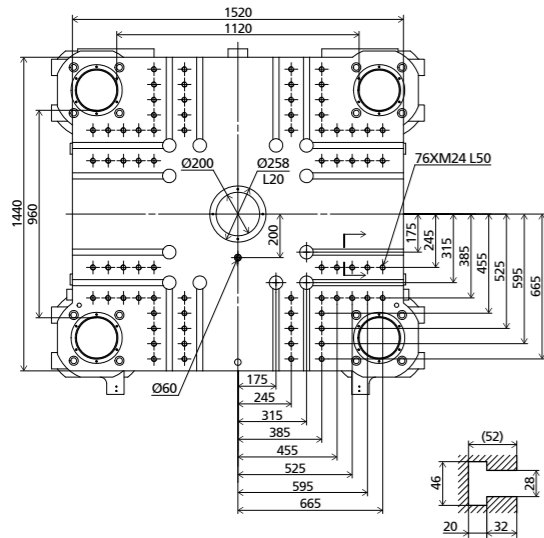
CLAMPING UNIT



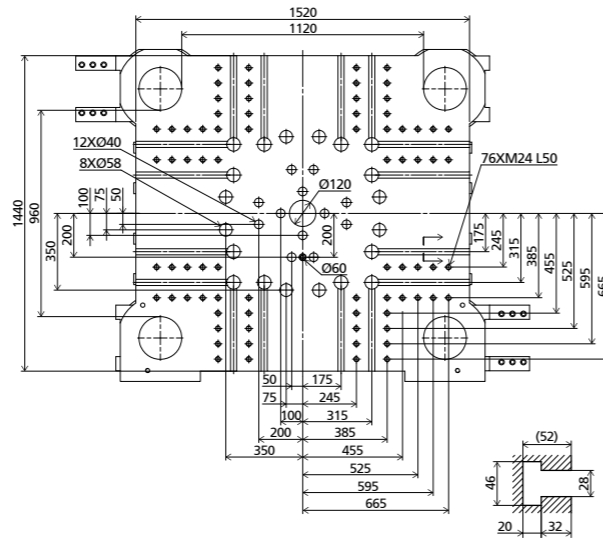
FRONT VIEW



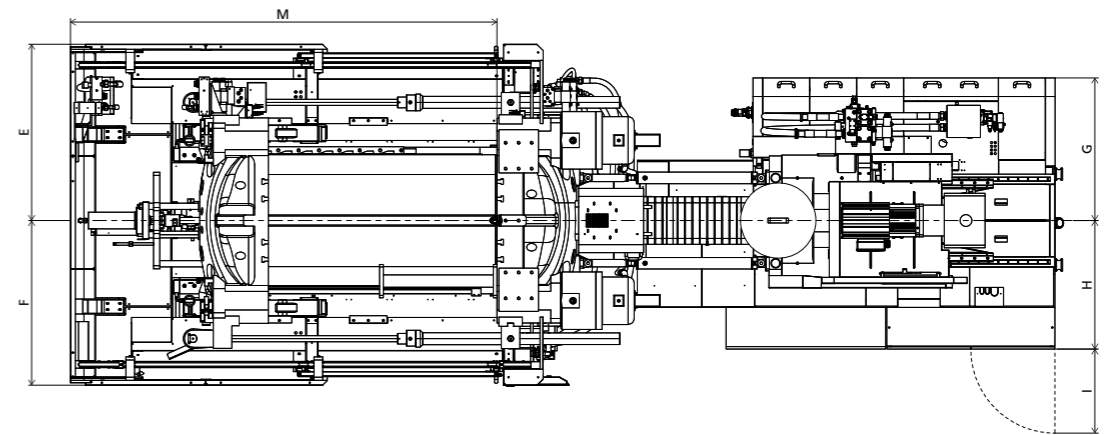
FIXED PLATEN DIMENSIONS



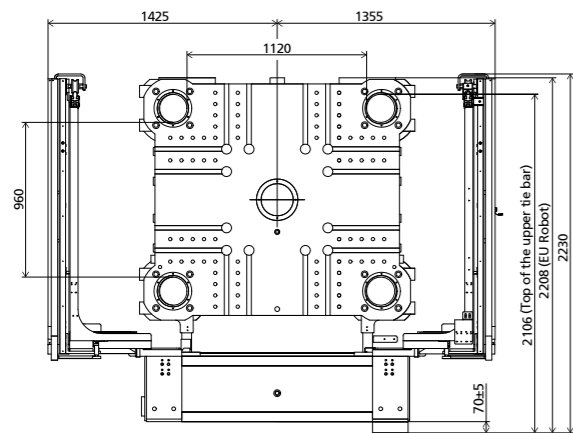
MOVING PLATEN DIMENSIONS



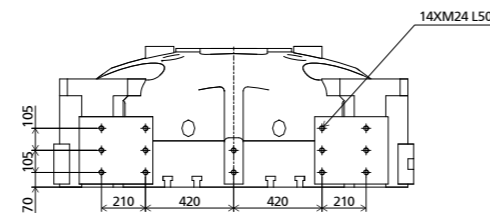
TOP VIEW



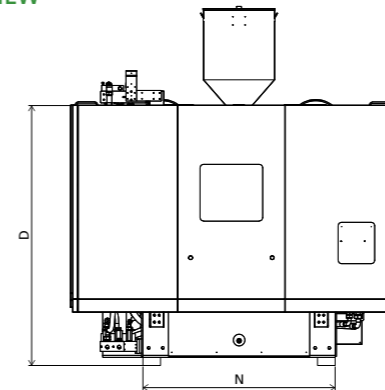
ROBOT MECHANICAL INTERFACE



ROBOTTOP VIEW FIXED PLATEN



SIDE VIEW



STANDARD

	INJECTION UNIT									DIMENSIONS (mm)			
	A	B	C	D	E	F	G	H	I	J	K	M	N
3450	2208	2106	2543	2200	1426	1333	1083	970	675	4055	3677	3450	1627
4650	2208	2106	2895	2200	1426	1333	1123	1010	675	4055	3832	3450	1627
5350	2208	2106	2918	2200	1426	1333	1153	1040	675	4055	3979	3450	1627
6750	2208	2106	2922	2200	1426	1333	1218	1065	675	4055	4692	3450	1627



JU9000 V

MACHINE TYPE		JU9000 V									
CLAMPING UNIT	Clamping force	kN				9000					
	Mold opening stroke ^①	mm				1600/1000					
	Mold height min.	mm				500					
	Mold height max.	mm				1100					
	Total daylight max.	mm				2100					
	Dist. between tie-bars (H×V)	mm				1180×1000					
	Ejector stroke	mm				300					
	Ejector force	kN				195					
	Mold weight max. ^②	t				13					
		5350			6750			8950			
		A	B	C	A	B	C	A	B	C	
INJECTION UNIT	Screw diameter	mm	80	90	100	90	100	110	100	110	120
	Screw L/D ratio	L/D	24.8	22	19.8	24.4	22	20	24.2	22	20.2
	Injection volume (theoretical)	cm ³	2261	2862	3534	2990	3691	4466	4005	4846	5767
	Injection weight (PS)	g	2058	2605	3216	2720	3359	4064	3645	4410	5248
	Injection rate (PS) ^③	g/s	551	697	861	644	796	963	797	965	1148
	Injection pressure	MPa	204	161	130	193	156	129	196	162	136
	Injection pressure (max)	MPa	236	186	151	222	180	148	223	184	154
	Plasticizing rate (GPPS) ^④	g/s	85.0	106.6	131.0	103.4	127.1	150.2	120.7	144.8	167.8
	Plasticizing rate (HDPE) ^⑤	g/s	127.9	162.2	200.1	155.6	191.0	227.5	181.2	217.2	247.0
Screw speed	rpm	190			170			155			
OTHERS	Pump motor power	kW	90			105			127		
	Heater power	kW	54			71			83		
	Machine dimension (L×W×H) ^⑥	m	9.06×3.19×3.06			9.21×3.19×3.07			9.70×3.19×3.13		
	Machine weight	t	35			37			39		
	Hopper capacity (OP)	kg	100			100			100		
	Oil tank ^⑦	l	510			590			840		

NOTE:

- ① With min. mold height / with max. mold height.
- ② Moving platen: 2/3 of max. mold weight.
- ③ The injection rate refers to the parameter in the differential injection condition.
- ④ Plasticizing capacity (GPPS): GB standard, with application of GPPS plasticizing capacity of 3-zone screws.
- ⑤ Plasticizing capacity (HDPE): Euromap 19, with application of HDPE plasticizing capacity of barrier screws.
- ⑥ The size is the net size of the machine, excluding the width of the feeding platform and the working platform.
- ⑦ The oil tank volume refers to the volume of the oil tank itself, excluding the volume in cylinder and pipeline. In this sense, the customer is advised to prepare the hydraulic oil according to 1.35 times of the oil tank volume.

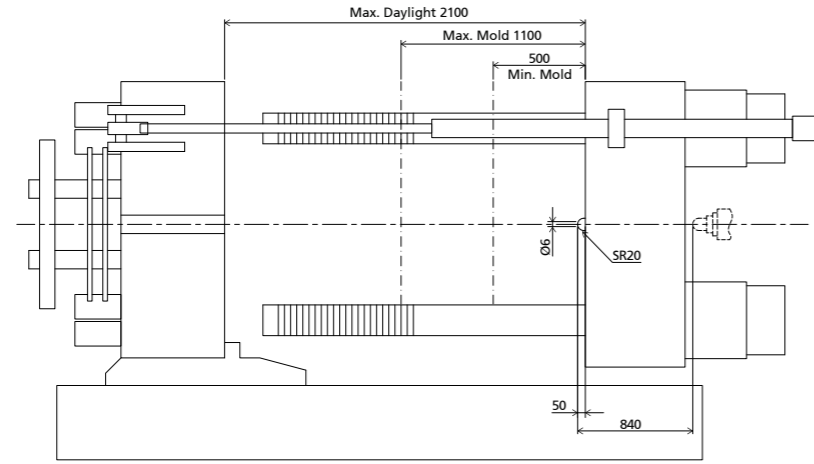
The above plasticizing capacity is for reference only.

We reserve the right to make changes as a result of further technical advantages.

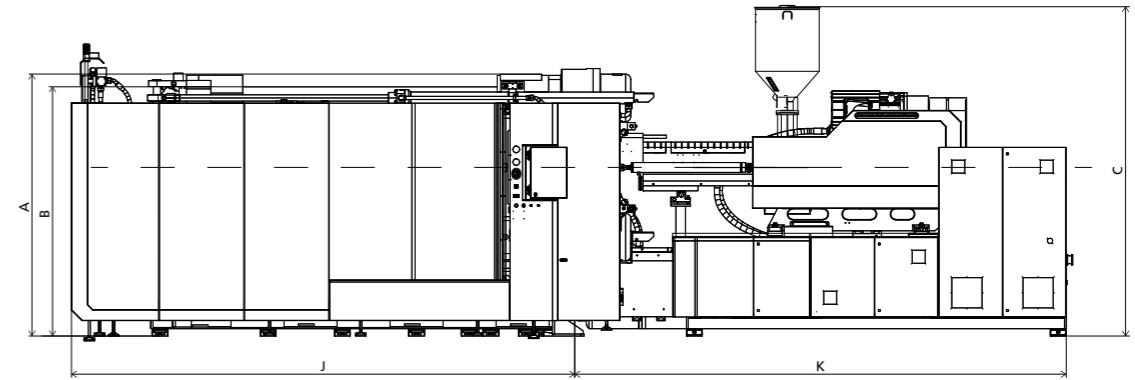


DIMENSIONS JU9000 V

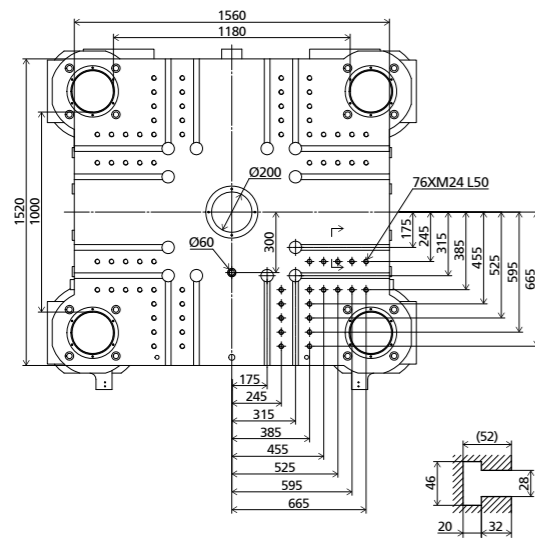
CLAMPING UNIT



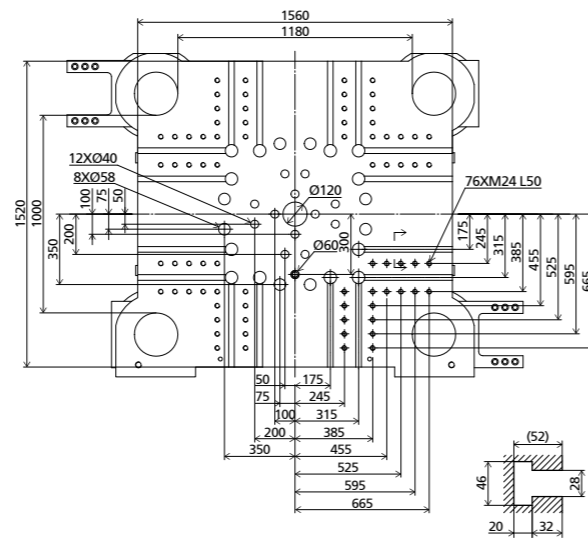
FRONT VIEW



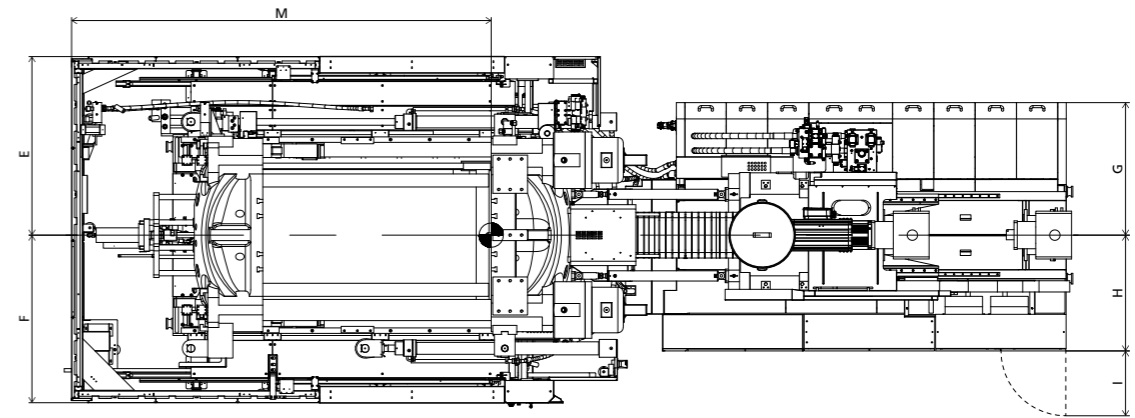
FIXED PLATEN DIMENSIONS



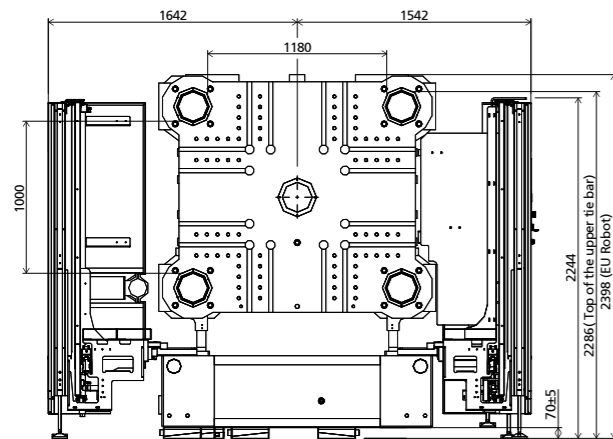
MOVING PLATEN DIMENSIONS



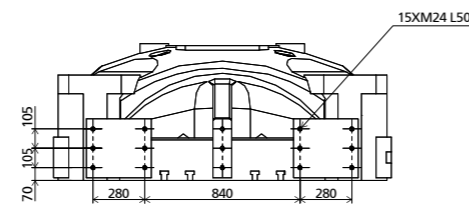
TOP VIEW



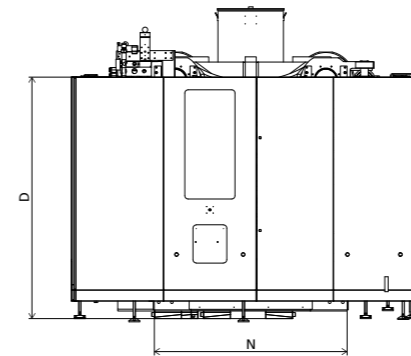
ROBOT MECHANICAL INTERFACE



ROBOTTOP VIEW FIXED PLATEN



SIDE VIEW



STANDARD

	INJECTION UNIT								DIMENSIONS (mm)				
	A	B	C	D	E	F	G	H	I	J	K	M	N
5350	2398	2286	3058	2212	1642	1542	1153	1040	596	4512	3979	3857	1766
6750	2398	2286	3062	2212	1642	1542	1218	1065	596	4512	4692	3857	1766
8950	2398	2286	3123	2212	1642	1542	1218	1065	596	4512	4742	3857	1766



JU10800 V

MACHINE TYPE		JU10800 V														
CLAMPING UNIT	Clamping force	kN	10800													
	Mold opening stroke ^①	mm	1900/1200													
	Mold height min.	mm	500													
	Mold height max.	mm	1200													
	Total daylight max.	mm	2400													
	Dist. between tie-bars (H×V)	mm	1270×1100													
	Ejector stroke	mm	350													
	Ejector force	kN	230													
	Mold weight max. ^②	t	16													
INJECTION UNIT			5350			6750			8950			11500				
			A	B	C	A	B	C	A	B	C	A	B	C	D	
	Screw diameter	mm	80	90	100	90	100	110	100	110	120	110	120	130	140	
	Screw L/D ratio	L/D	24.8	22	19.8	24.4	22	20	24.2	22	20.2	26.2	24	22.2	20.6	
	Injection volume (theoretical)	cm ³	2261	2862	3534	2990	3691	4466	4005	4846	5767	5226	6220	7300	8466	
	Injection weight (PS)	g	2058	2605	3216	2720	3359	4064	3645	4410	5248	4756	5660	6643	7704	
	Injection rate (PS) ^③	g/s	610	772	954	644	796	963	797	965	1148	884	1052	1235	1432	
	Injection pressure	MPa	204	161	130	193	156	129	196	162	136	189	159	135	117	
	Injection pressure (max)	MPa	236	186	151	222	180	148	223	184	154	217	183	156	134	
	Plasticizing rate (GPPS) ^④	g/s	85.0	106.6	131.0	103.4	127.1	150.2	120.7	144.8	167.8	123.0	142.0	164.0	187.0	
	Plasticizing rate (HDPE) ^⑤	g/s	127.9	162.2	200.1	155.6	191.0	227.5	181.2	217.2	247.0	187.0	217.0	240.0	273.0	
Screw speed	rpm	190			170			155			105					
OTHERS	Pump motor power	kW	105			105			127			135				
	Heater power	kW	54			71			83			104				
	Machine dimension (L×W×H) ^⑥	m	9.22×3.28×3.06			9.37×3.28×3.07			9.85×3.28×3.13			10.17×3.28×4.06				
	Machine weight	t	41			43			44			47				
	Hopper capacity (OP)	kg	100			100			100			400				
	Oil tank ^⑦	l	510			590			840			840				

NOTE:

- ① With min. mold height / with max. mold height.
- ② Moving platen: 2/3 of max. mold weight.
- ③ The injection rate refers to the parameter in the differential injection condition.
- ④ Plasticizing capacity (GPPS): GB standard, with application of GPPS plasticizing capacity of 3-zone screws.
- ⑤ Plasticizing capacity (HDPE): Euromap 19, with application of HDPE plasticizing capacity of barrier screws.
- ⑥ The size is the net size of the machine, excluding the width of the feeding platform and the working platform.
- ⑦ The oil tank volume refers to the volume of the oil tank itself, excluding the volume in cylinder and pipeline. In this sense, the customer is advised to prepare the hydraulic oil according to 1.35 times of the oil tank volume.

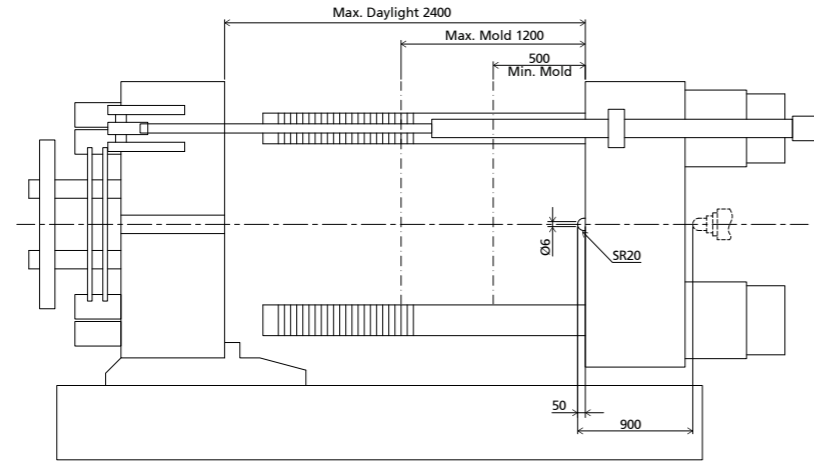
The above plasticizing capacity is for reference only.

We reserve the right to make changes as a result of further technical advantages.

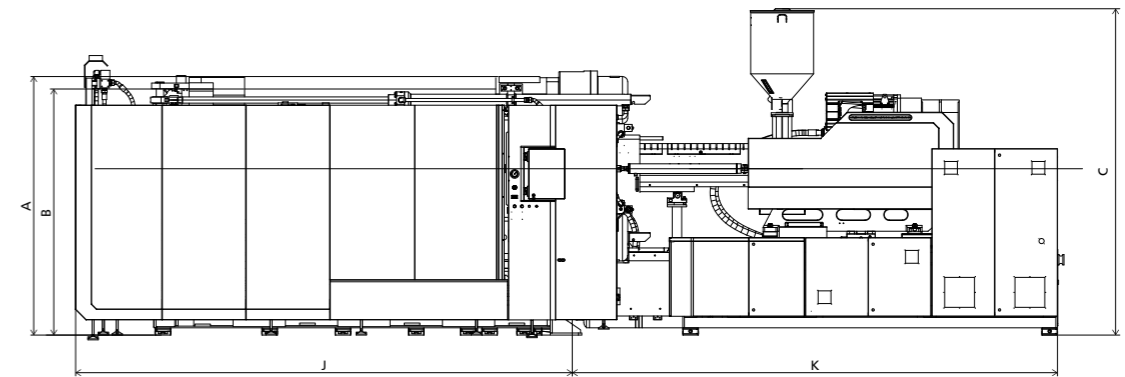


DIMENSIONS JU10800 V

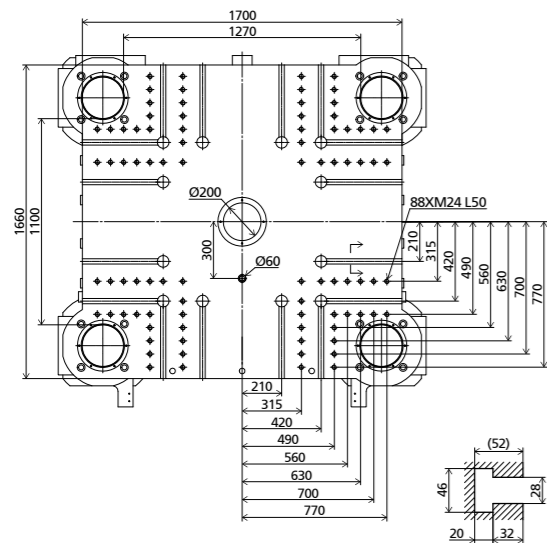
CLAMPING UNIT



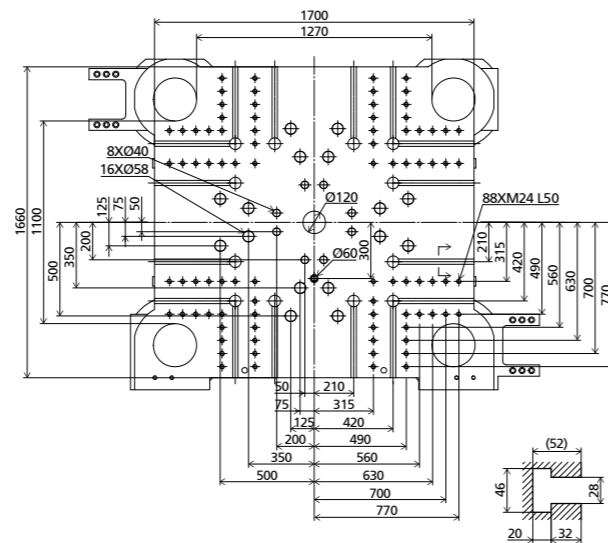
FRONT VIEW



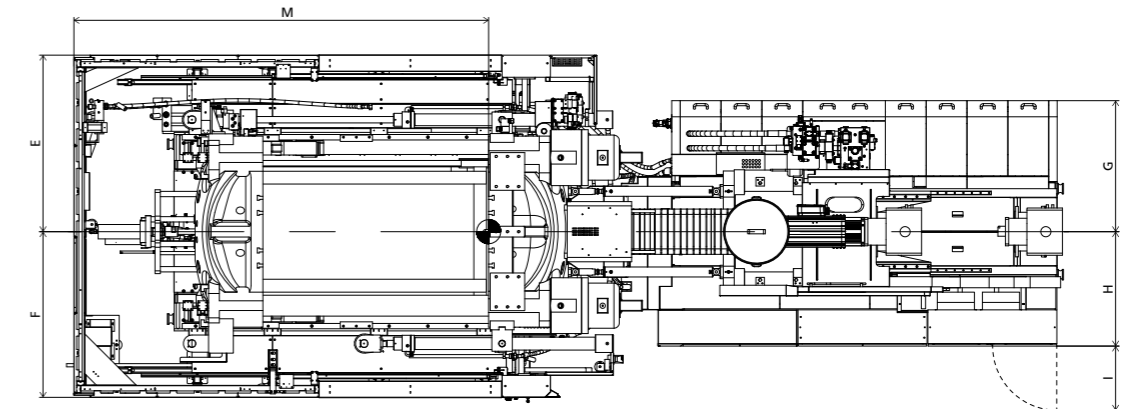
FIXED PLATEN DIMENSIONS



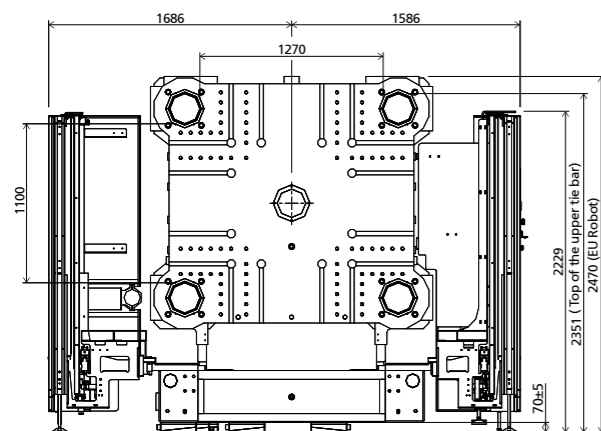
MOVING PLATEN DIMENSIONS



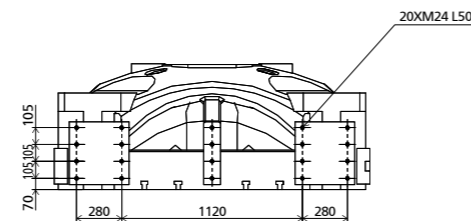
TOP VIEW



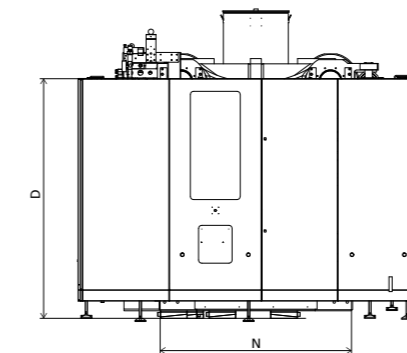
ROBOT MECHANICAL INTERFACE



ROBOTTOP VIEW FIXED PLATEN



SIDE VIEW



STANDARD

	INJECTION UNIT									DIMENSIONS (mm)			
	A	B	C	D	E	F	G	H	I	J	K	M	N
5350	2470	2351	3058	2200	1686	1586	1153	1040	596	4699	3979	4014	1821
6750	2470	2351	3062	2200	1686	1586	1218	1065	596	4699	4742	4014	1821
8950	2470	2351	3123	2200	1686	1586	1218	1065	596	4699	4742	4014	1821
11500	2470	2351	4055	2200	1686	1586	1308	1215	596	4699	5378	4014	1821



JU12000 V

MACHINE TYPE			JU12000 V												
CLAMPING UNIT	Clamping force	kN	12000												
	Mold opening stroke ^①	mm	2050/1400												
	Mold height min.	mm	600												
	Mold height max.	mm	1250												
	Total daylight max.	mm	2650												
	Dist. between tie-bars (H×V)	mm	1310×1200												
	Ejector stroke	mm	350												
	Ejector force	kN	230												
	Mold weight max. ^②	t	20												
INJECTION UNIT			5350			6750			8950			11500			
			A	B	C	A	B	C	A	B	C	A	B	C	D
	Screw diameter	mm	80	90	100	90	100	110	100	110	120	110	120	130	140
	Screw L/D ratio	L/D	24.8	22	19.8	24.4	22	20	24.2	22	20.2	26.2	24	22.2	20.6
	Injection volume (theoretical)	cm ³	2261	2862	3534	2990	3691	4466	4005	4846	5767	5226	6220	7300	8466
	Injection weight (PS)	g	2058	2605	3216	2720	3359	4064	3645	4410	5248	4756	5660	6643	7704
	Injection rate (PS) ^③	g/s	610	772	954	644	796	963	797	965	1148	884	1052	1235	1432
	Injection pressure	MPa	204	161	130	193	156	129	196	162	136	189	159	135	117
	Injection pressure (max)	MPa	236	186	151	222	180	148	223	184	154	217	183	156	134
	Plasticizing rate (GPPS) ^④	g/s	85.0	106.6	131.0	103.4	127.1	150.2	120.7	144.8	167.8	123.0	142.0	164.0	187.0
	Plasticizing rate (HDPE) ^⑤	g/s	127.9	162.2	200.1	155.6	191.0	227.5	181.2	217.2	247.0	187.0	217.0	240.0	273.0
Screw speed	rpm	190			170			155			105				
OTHERS	Pump motor power	kW	105			105			127			135			
	Heater power	kW	54			71			83			104			
	Machine dimension (L×W×H) ^⑥	m	9.51×3.34×3.12			9.66×3.34×3.13			10.15×3.34×3.87			10.46×3.34×4.42			
	Machine weight	t	47			49			50			54			
	Hopper capacity (OP)	kg	100			100			200			400			
	Oil tank ^⑦	l	510			590			840			840			

NOTE:

- ① With min. mold height / with max. mold height.
- ② Moving platen: 2/3 of max. mold weight.
- ③ The injection rate refers to the parameter in the differential injection condition.
- ④ Plasticizing capacity (GPPS): GB standard, with application of GPPS plasticizing capacity of 3-zone screws.
- ⑤ Plasticizing capacity (HDPE): Euromap 19, with application of HDPE plasticizing capacity of barrier screws.
- ⑥ The size is the net size of the machine, excluding the width of the feeding platform and the working platform.
- ⑦ The oil tank volume refers to the volume of the oil tank itself, excluding the volume in cylinder and pipeline. In this sense, the customer is advised to prepare the hydraulic oil according to 1.35 times of the oil tank volume.

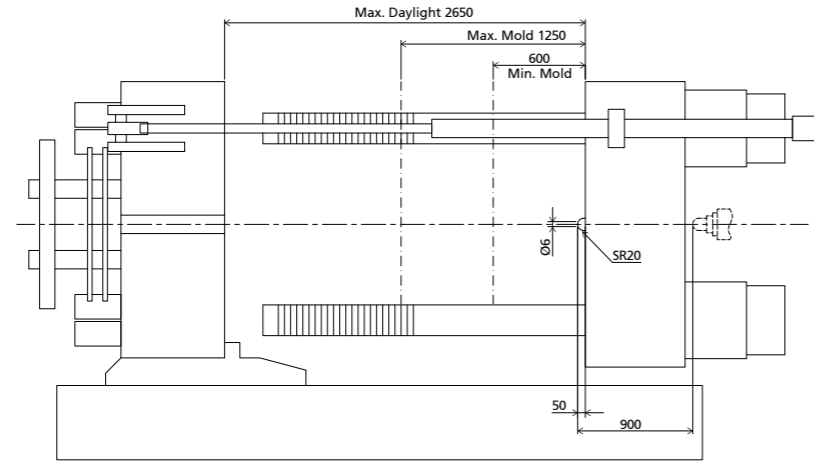
The above plasticizing capacity is for reference only.

We reserve the right to make changes as a result of further technical advantages.

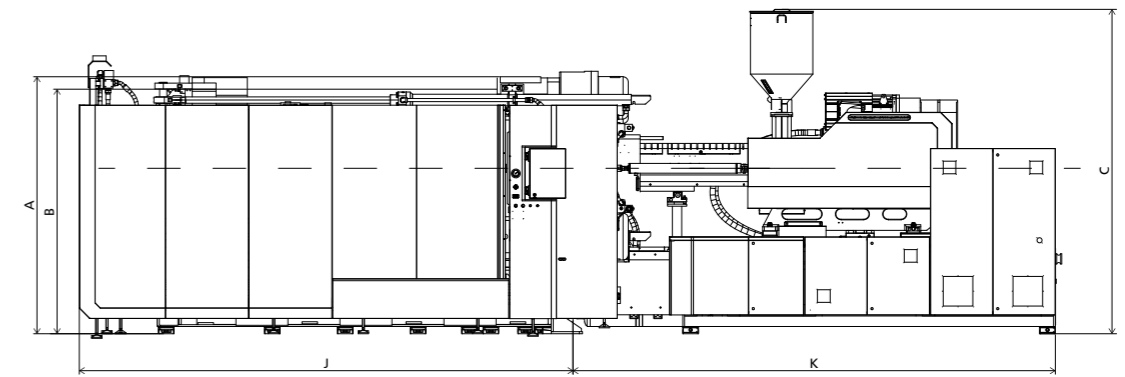


DIMENSIONS JU12000 V

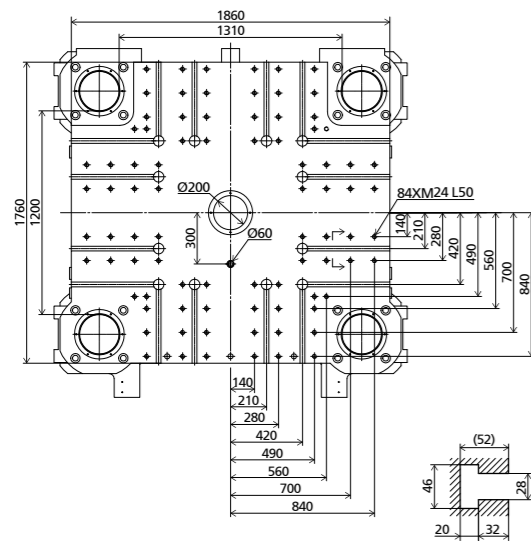
CLAMPING UNIT



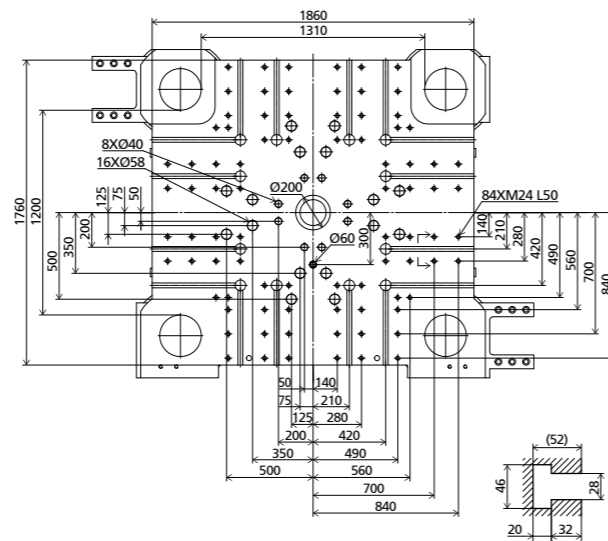
FRONT VIEW



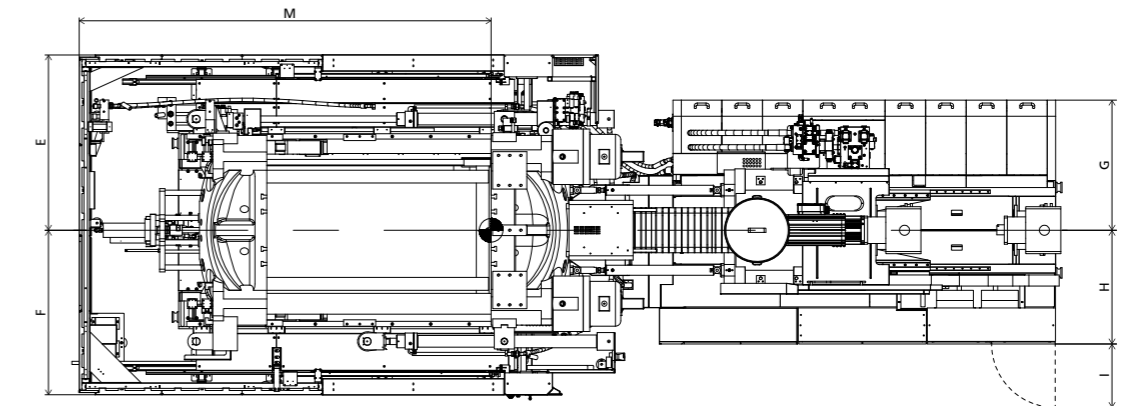
FIXED PLATEN DIMENSIONS



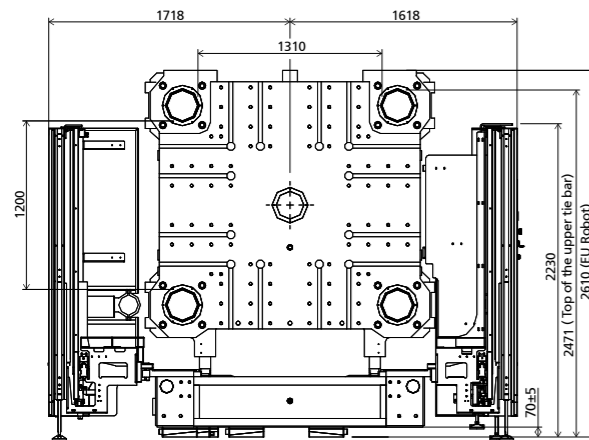
MOVING PLATEN DIMENSIONS



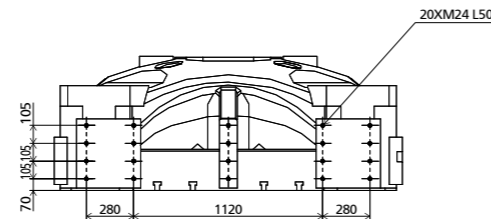
TOP VIEW



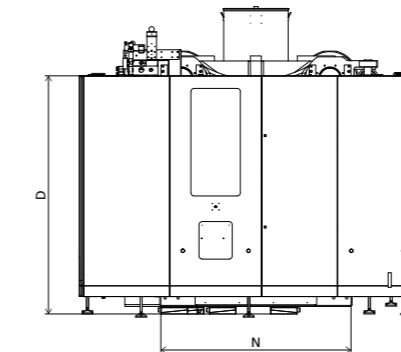
ROBOT MECHANICAL INTERFACE



ROBOTTOP VIEW FIXED PLATEN



SIDE VIEW



STANDARD

	INJECTION UNIT									DIMENSIONS (mm)			
	A	B	C	D	E	F	G	H	I	J	K	M	N
5350	2610	2471	3118	2200	1718	1618	1153	1040	596	5102	3979	4307	1896
6750	2610	2471	3122	2200	1718	1618	1218	1065	596	5102	4742	4307	1896
8950	2610	2471	3864	2200	1718	1618	1218	1065	596	5102	4742	4307	1896
11500	2610	2471	4415	2200	1718	1618	1308	1215	596	5102	5278	4307	1896



NOTE

1

2

3

4

5

6

7

8

9

10

1

2

3

4

5

6

7

8

9

10

1

2

3

4

5

6

7

8

9

10

1

2

3

4

5

6

7

8

9

10